

COFFEE LABORATORY

Coffee **PRO**
Direct

PARCHMENT HULLER
OPERATING MANUAL PCHS200

[CLICK FOR PRODUCT DEMONSTRATION](#)



QUOTE REQUEST ✓

I. Application The PCHS200 is designed to hull parchment coffee or dried cherry coffee to sample the coffee beans.

II. Structure The huller consists of the following components: (Figure 2.1)

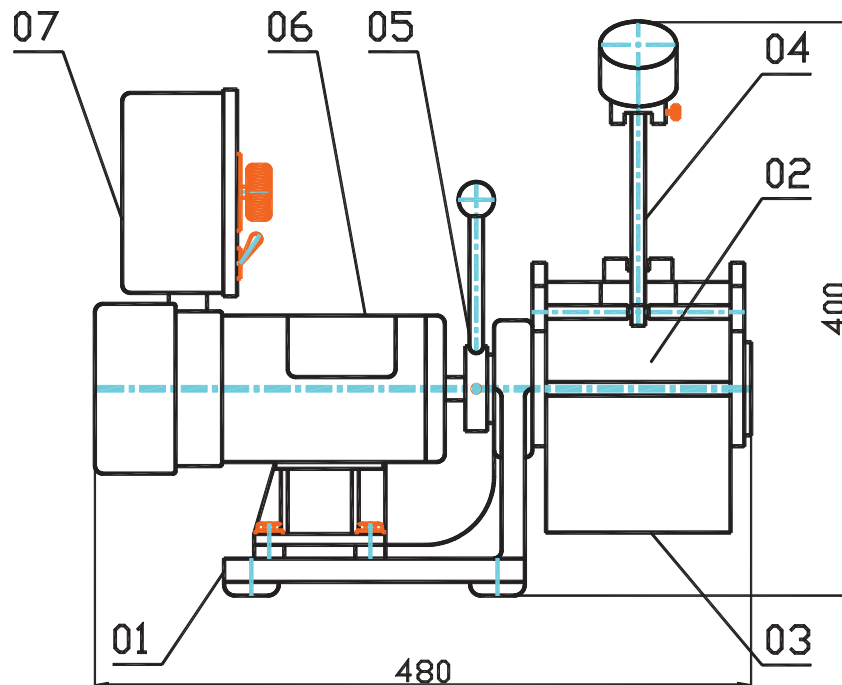


Figure 2.1

- 01. Base
- 02. Hulling chamber
- 03. Cover
- 04. Counterweight
- 05. Clamp device
- 06. Motor
- 07. Electric control box

III. Specifications

- Power installed: 0.5 HP – 50 Hz/220V
- Revolution: 1440 RPM
- Capacity: 200g/batch
- Dimension approx. (L x W x H mm): 480 x 380 x 400

IV. Operation Instructions

1. Before operation
 - Check the huller; check the clamp device of the hulling chamber.
 - Carry out a commissioning test without any coffee for a few seconds.

2. Procedure

- Before coffee beans are fed into the huller, the cover should be pulled up 40 – 50mm from the top rim. Then feed the coffee in the sample huller by means of coffee tray. Pour 200g of the coffee into the machine for each hulling times. (Figure 5.2.1)

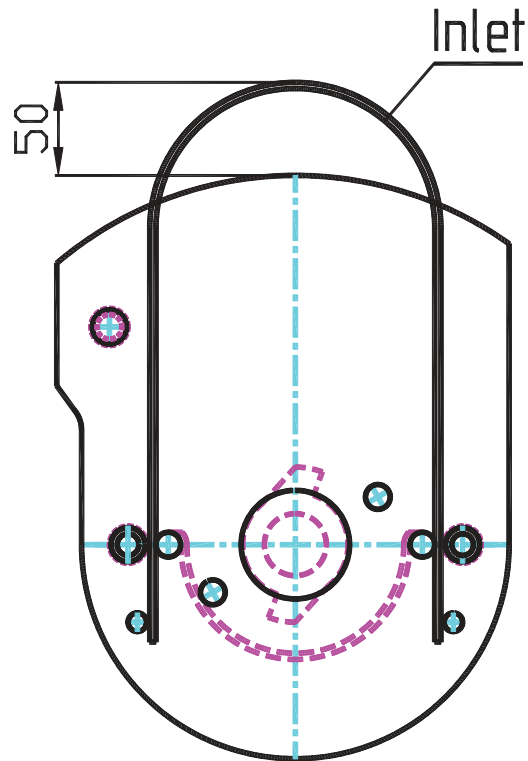


Figure 5.2.1

- After the coffee is fed into the sample huller, the cover shall press by itself. Then fit the counterweight to adjust the pressure of the cover properly. (Figure 5.2.2)

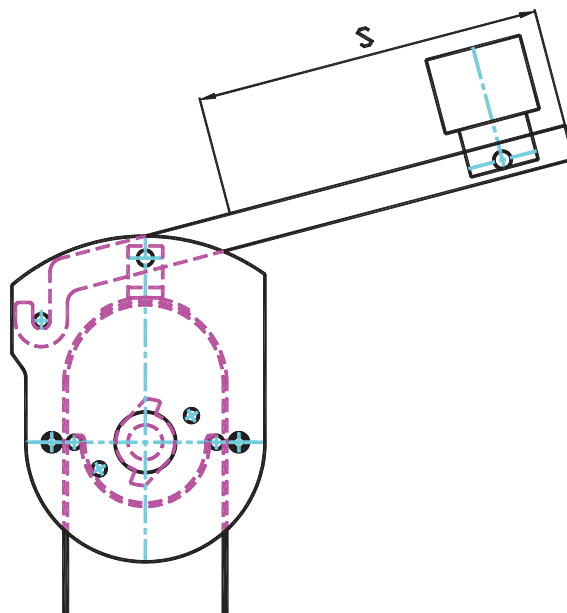


Figure 5.2.2

- Adjusting the arm of the counterweight at long distance or short distance will depend on the coffee material.
- Set timer: + From 50 - 90 sec for parchment coffee
+ From 90 - 120 sec for dried cherry coffee
- Start up the machine. The machine shall stop by itself according to the set timer period. Then remove the arm with the counterweight from the machine. Open the clamp device. Turn the hulling chamber with an angle of 180° to remove the press trough for discharging coffee beans.
(Figure 5.2.3)

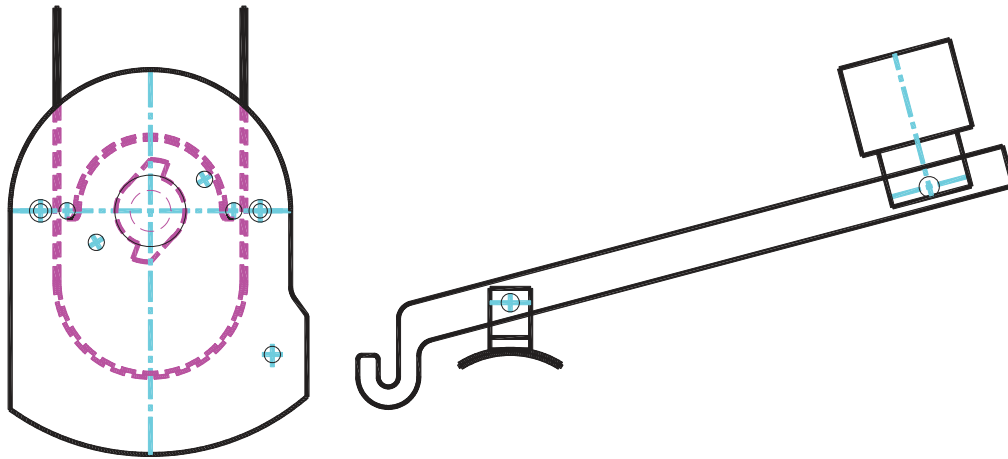


Figure 5.2.3

- After hulling, check that if the coffee has not yet been hulled entirely. It may be necessary to increase pressure force by moving the counterweight far from the hulling chamber and to increase hulling time.

V. Maintenance

Daily: Clean the hulling chamber and the screen after hulling.

Monthly: Check grease of outer bearing and intermediate bush.

VI. Installation

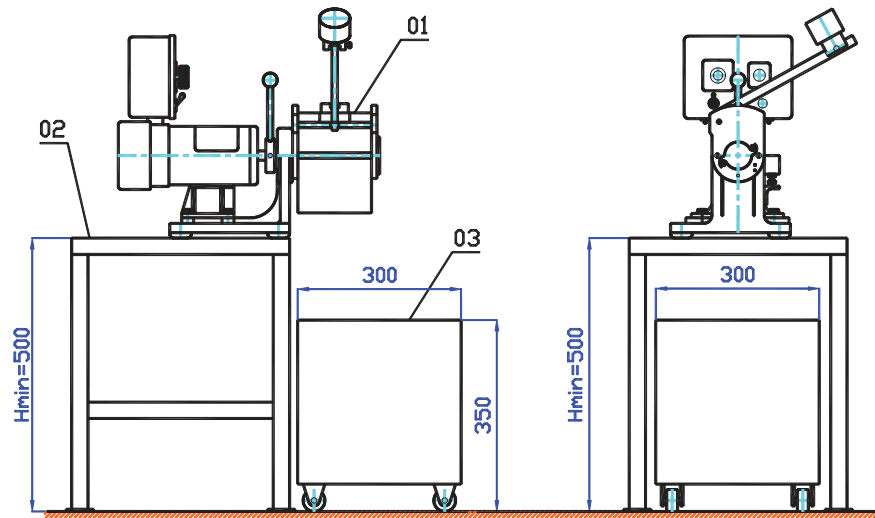


Figure 6.1

- 01. Sample huller
- 02. Table
- 03. Hull bin