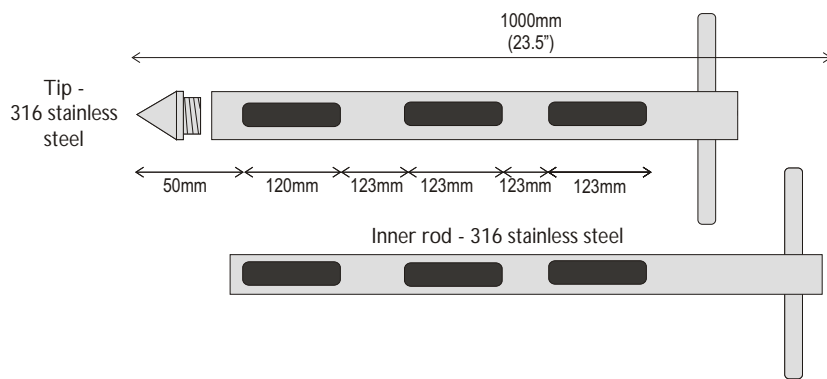
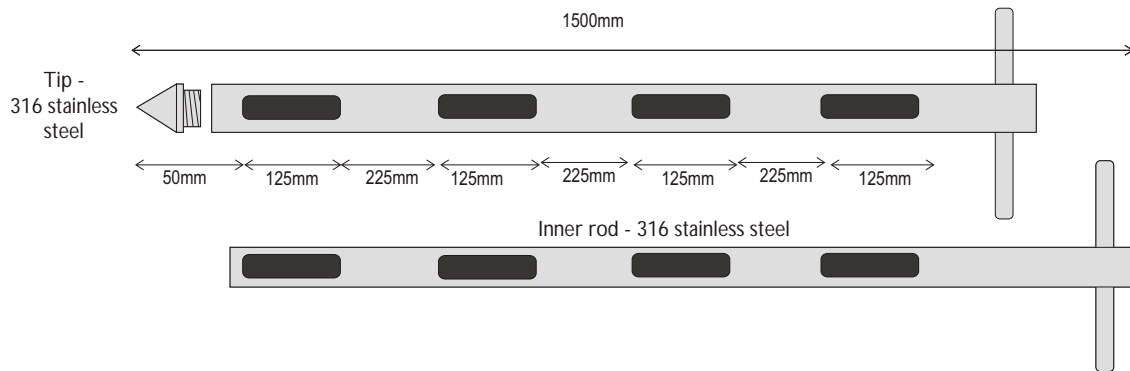


Exploded View of a Pocket Sampler - Type 1210K-900



Diameter of Outer Tube = 40mm
Bore of Inner Tube = 33mm
Overall Length = 1060mm

Exploded View of a Pocket Sampler - Type 1210K-1500



Diameter of Outer Tube = 40mm
Bore of Inner Tube = 33mm
Overall Length = 1560mm

Pocket Width - 20mm

Exploded View of a Pocket Sampler - Type 1210K-2000

