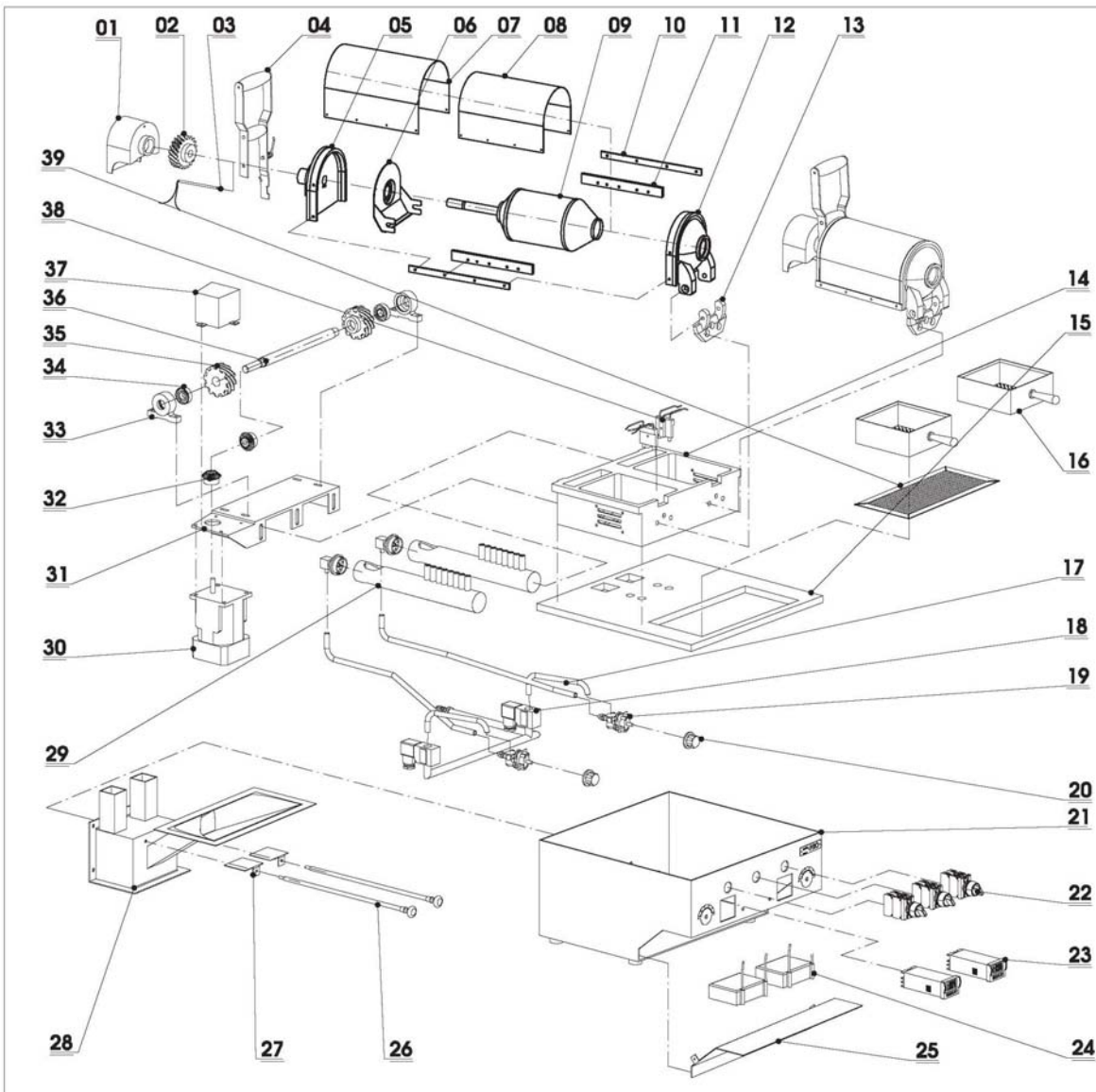


# Coffee PRO<sup>®</sup> Direct

## Technical Manual

### SPG2

#### 1. Components



SPG2		
39	Mesh	01
38	Ignition sensor	02
37	Shaft	01
36	Cover	02
35	Helical gear	02
34	Bearing	02
33	Bearing Support	02
32	Bevel gear	02
31	Support	01
30	Motor	01
29	Nozzle gas pipe	02
28	Suction hopper	01
27	Air Valve	02
26	Adjust Knob	02
25	Bottom Cover	01
24	Ignition Unit	02
23	Temperature Controller	02
22	Switch	03
21	Base	01
20	Knob	02
19	Gas valve	02
18	Solenoid valve	02
17	Gas pipe	02
16	Tray	02
15	Base	01
14	Aluminium base	01
13	Hinge support	02
12	Front brass flange	02
11	Internal strap	04
10	External strap	04
09	Drum	02
08	Internal cladding	02
07	External cladding	02
06	Sheathing sheet	02
05	Rear brass flange	02
04	Hand-knob	02
03	Thermocouple	04
02	Helical gear	02
01	Cover	02
No	Name	Qty

## 2. Technical Specifications

- Capacity 100g/ batch /drum
- Roasting time 05 –15 minutes per batch
- Velocity of roasting drum 60 RPM
- Power installed Power source 50-60Hz/220-240V  
Single phase
- + Motor: 25 W
- + Suction fan: 370 W
- Dimensions (mm) L x W x H: 560 x 430 x 560
- Net Weight 44 kg

