

# PK 100

## QUESTION TODAY AND EVERY DAY

MOTOR 500 W  
BURRS Ø 98 MM

### KEY ESPECIFICATIONS

Motor output	500	W
Revolutions per minute	900	rpm
Ø Burrs	98	mm
Production per second Filter	10	gr
Single Dose capacity	60	gr
Height x width x depth	622x252x328	mm
Net weight	25,4	Kg

[QUICK QUOTE](#)

[ONLINE PRICING](#)



**SLOW COLD  
GRINDING**



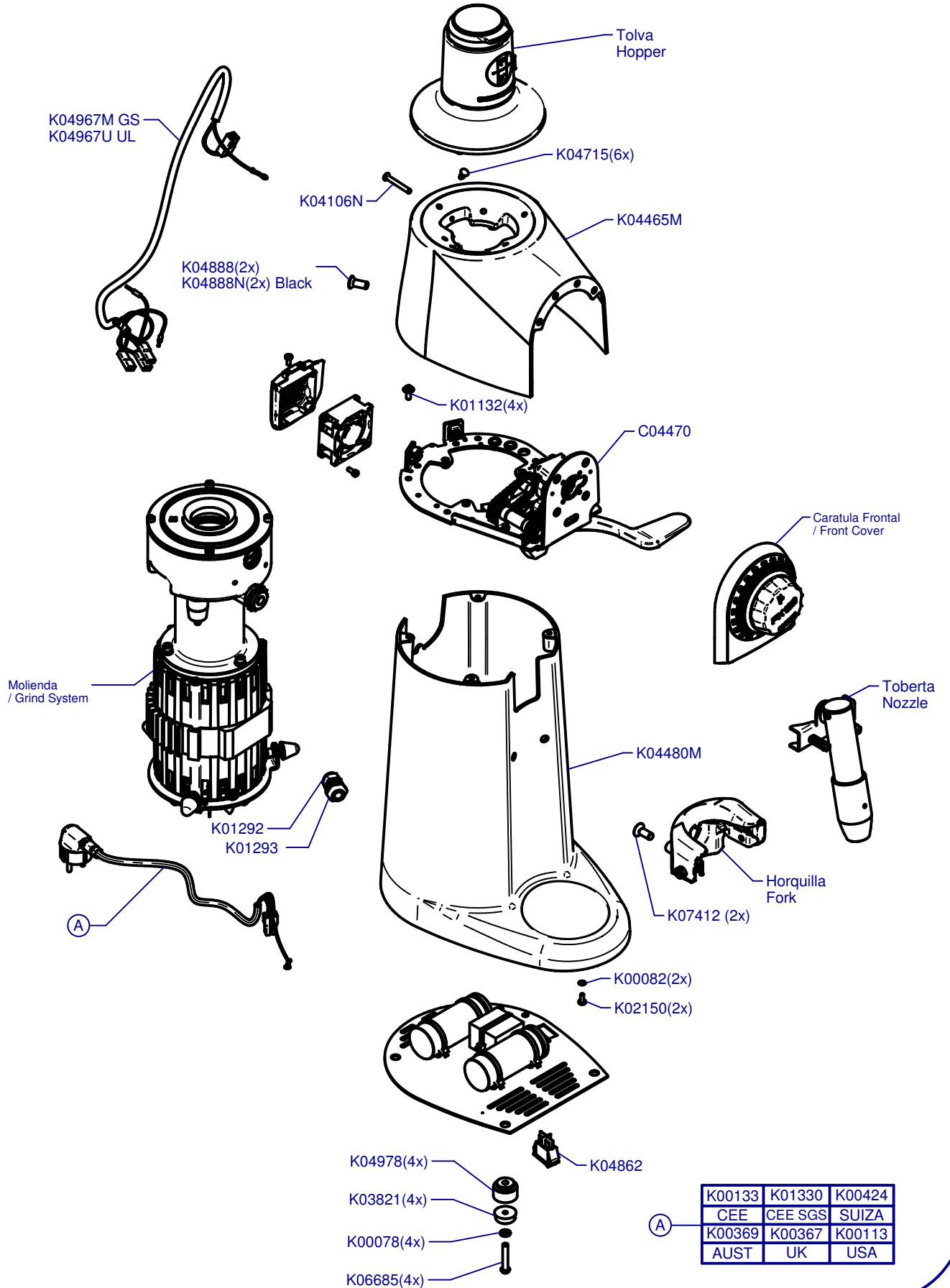
**HIGH YIELD  
EXTRACTION BURRS**



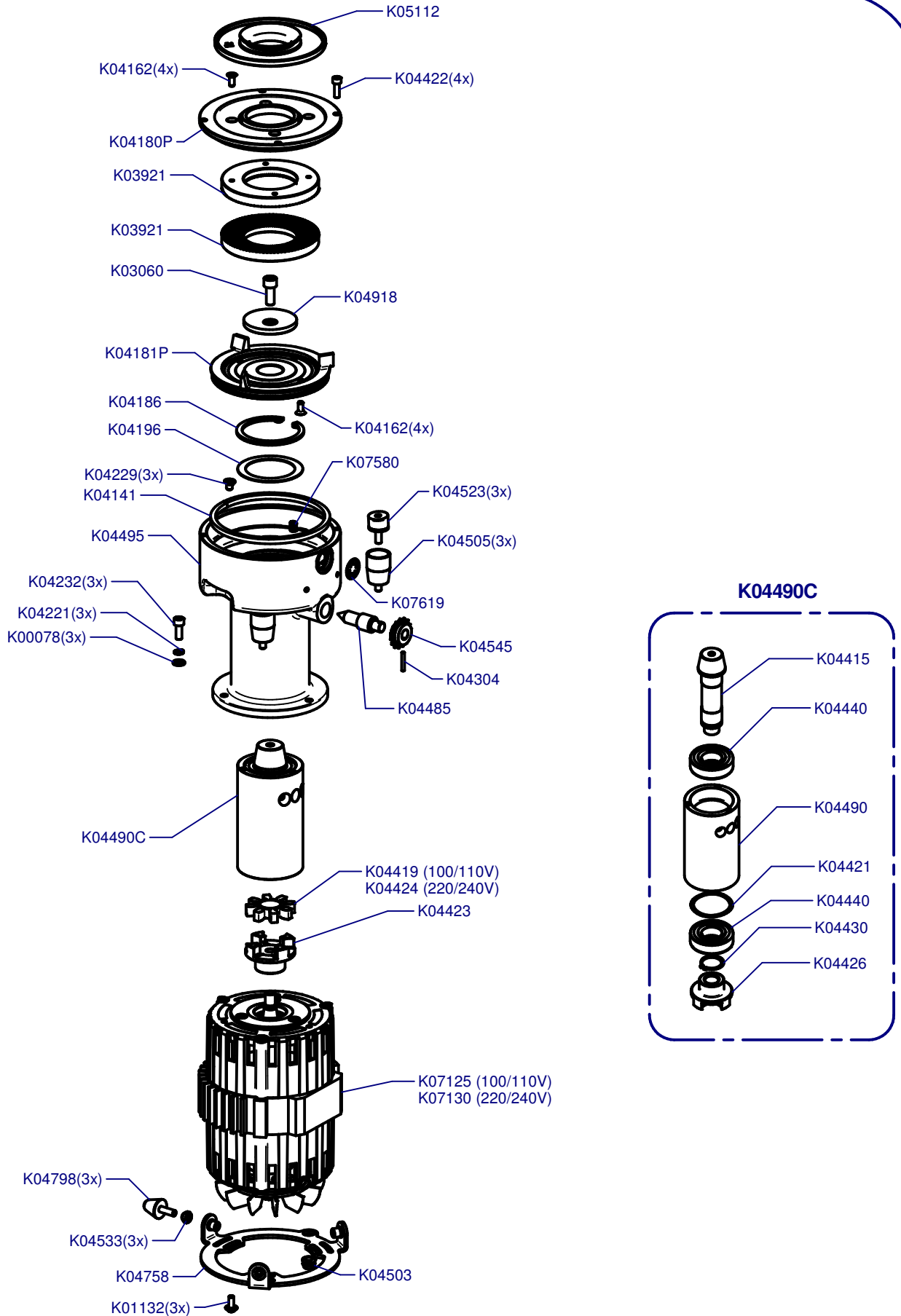
**ROTATORY CLUMP  
CRUSHER & GROUND  
DISTRIBUTION NEEDLE**

### KEY FEATURES

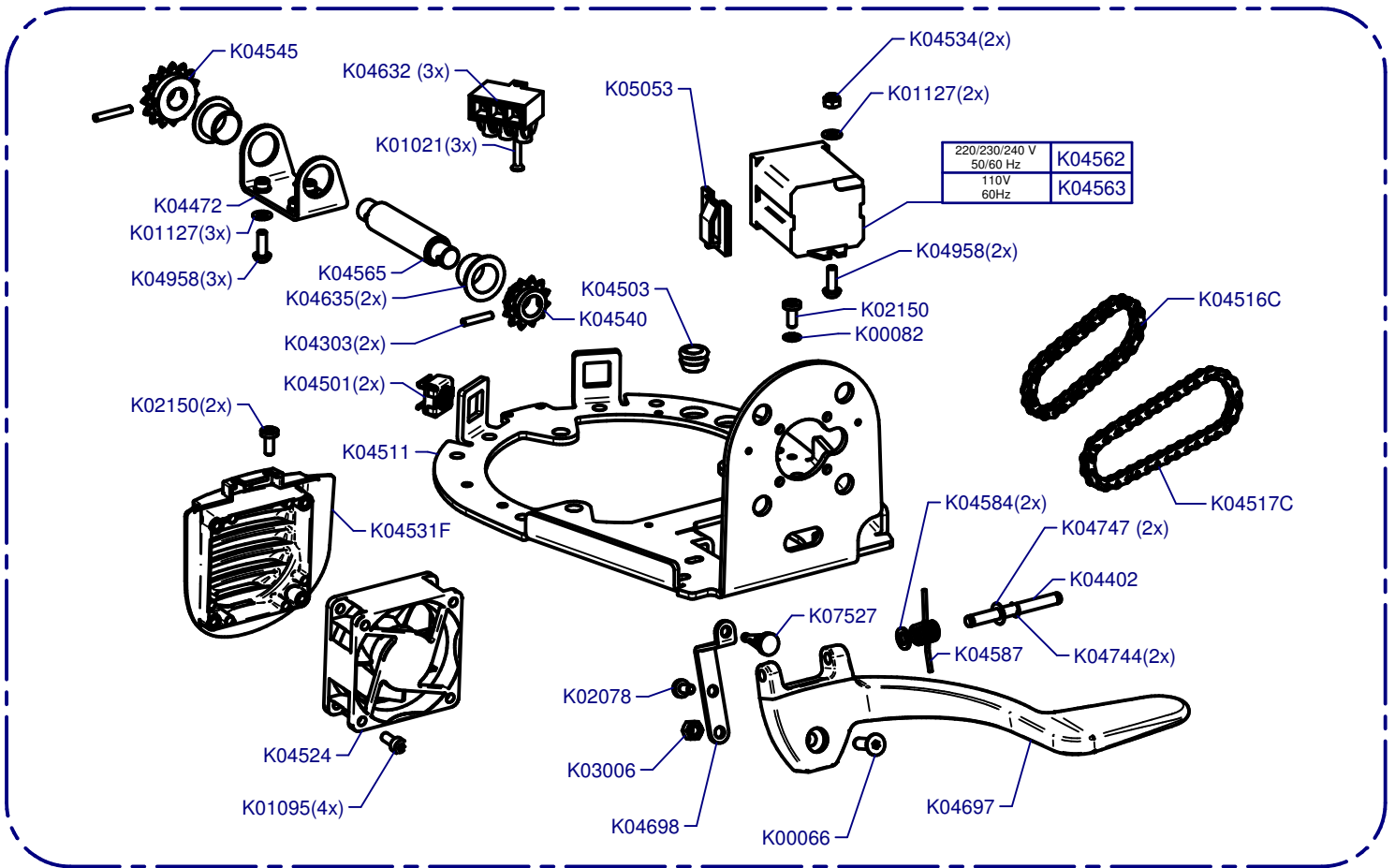
- ◆ Constructed of cast aluminum
- ◆ Micrometric regulation
- ◆ Turkish to French Press grind range
- ◆ Double ventilation system
- ◆ Bag shaker extension
- ◆ Aluminum front regulator



Molienda / Grind System

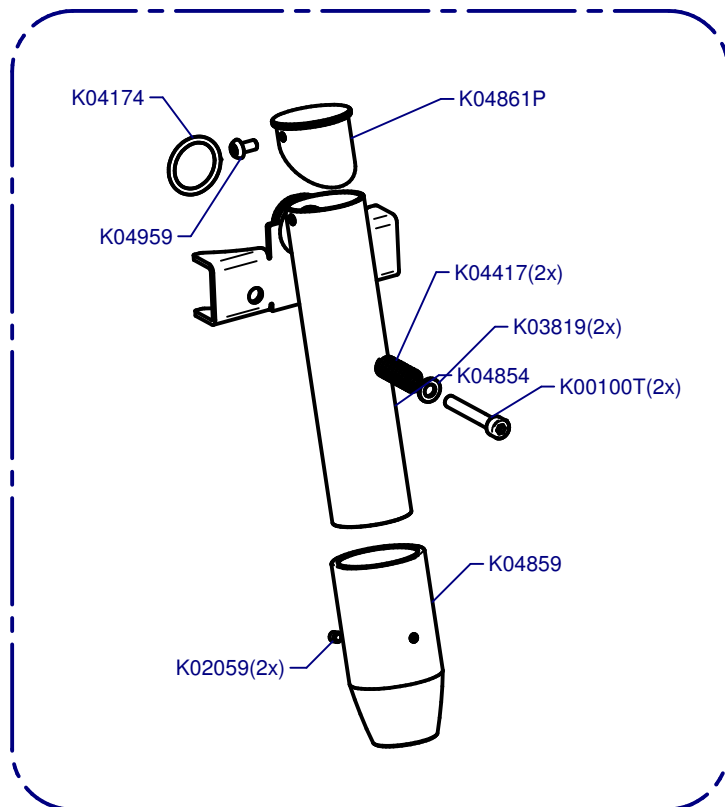


**Bancada / Bed Plate**

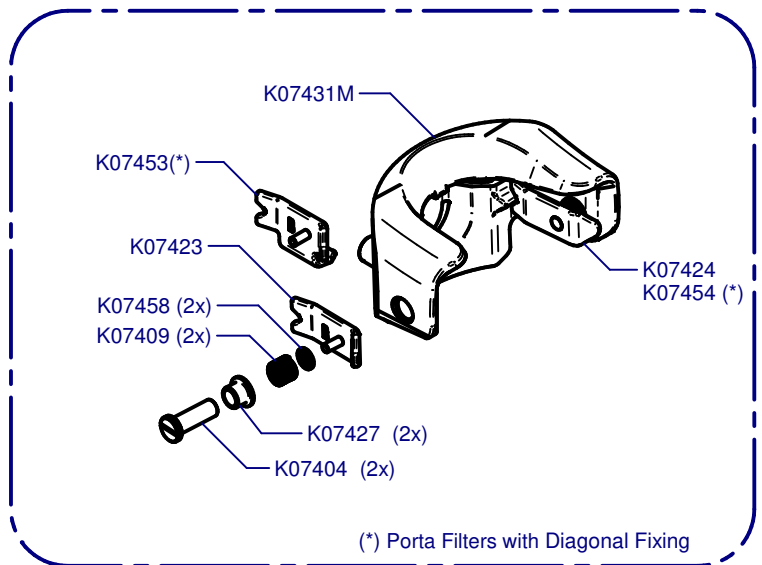


**C04470**

**Tobera / Nozzle  
K04854C**



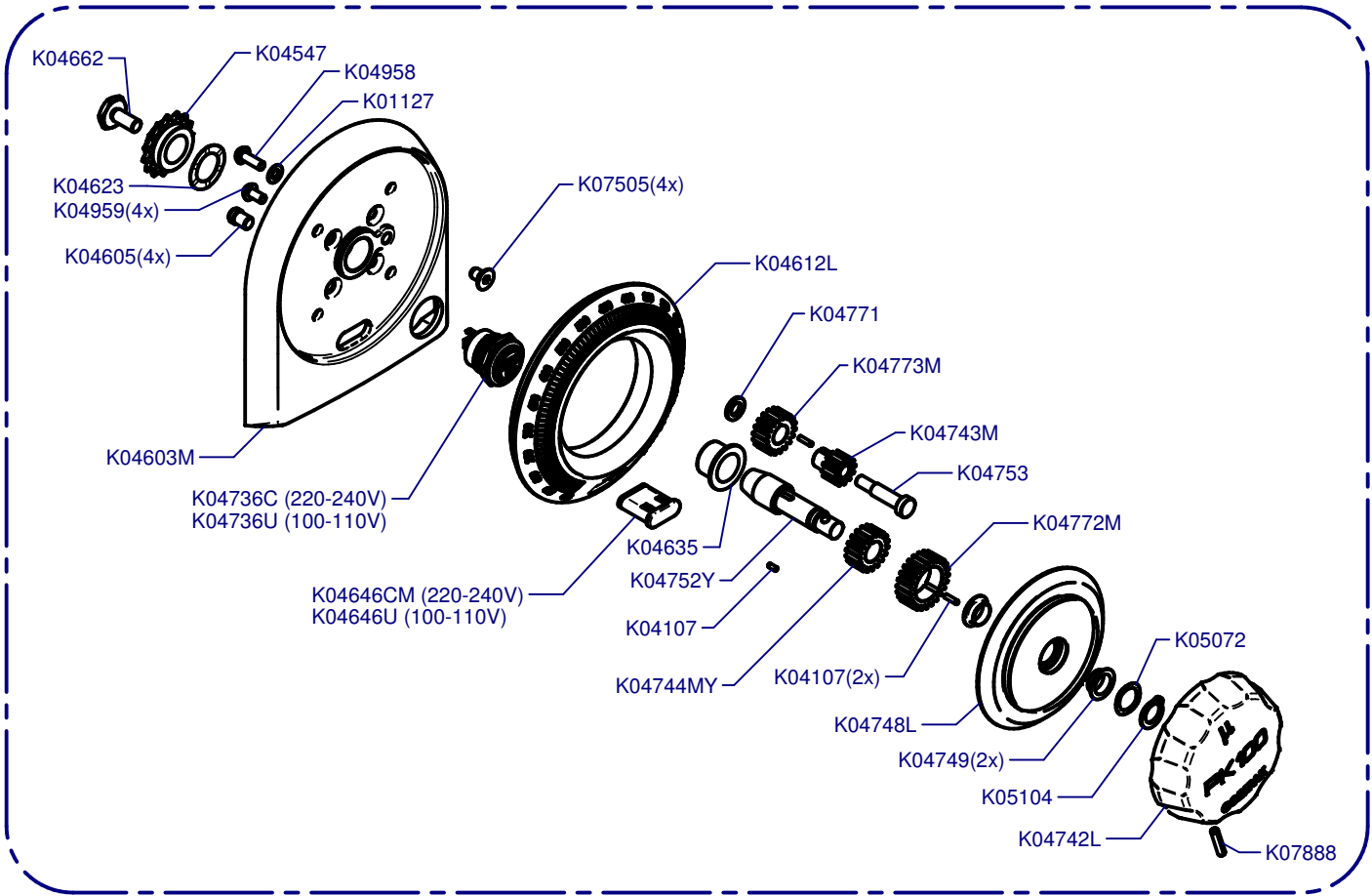
**Horquilla / Fork**



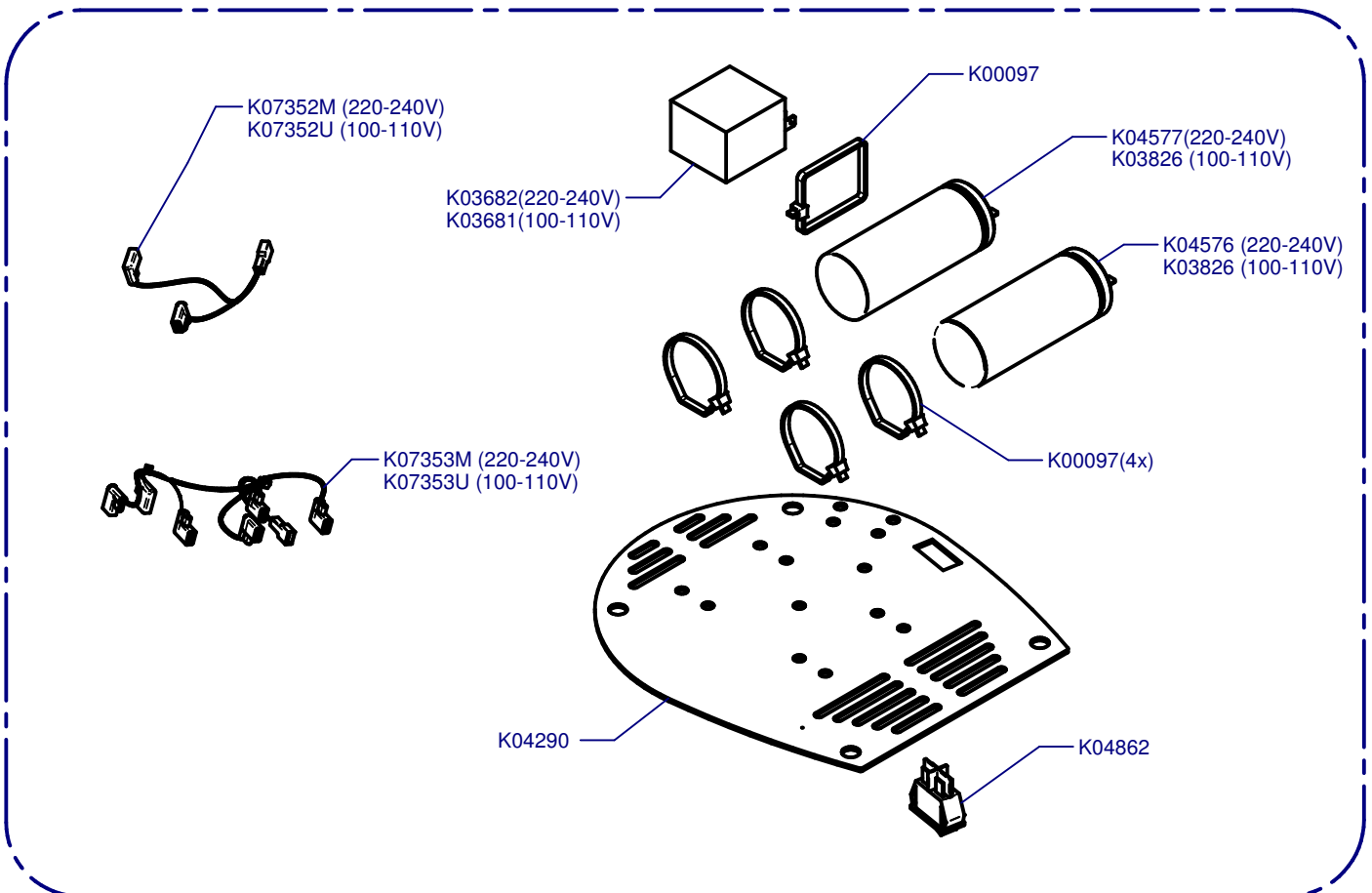
(\*) Porta Filters with Diagonal Fixing

**C07435**

**Caratula Frontal / Front Cover**



**Placa Base / Mother Board**

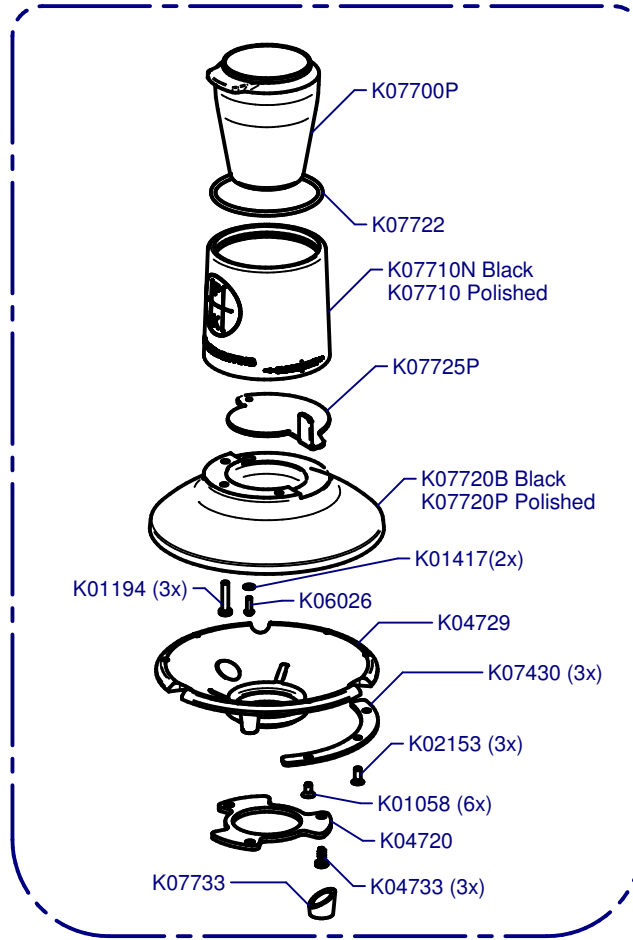


**PK100**

Updated 09/07/2019

**Tolva Cupping  
Cupping Hopper**

**C07700 Black  
C07700P Polished**



**Tolva / Hopper (Optional)**

